

## TYPICAL SKYLIGHT SILL-TO-CURB

DRAWINGS AND DIMENSIONS ARE  
FOR ILLUSTRATION PURPOSES ONLY, AND ARE  
NOT FOR CONSRTUCTION.



132 Ashmore Drive  
Leola, Pennsylvania 17540  
(717) 661-7520 Fax (717) 661-7727

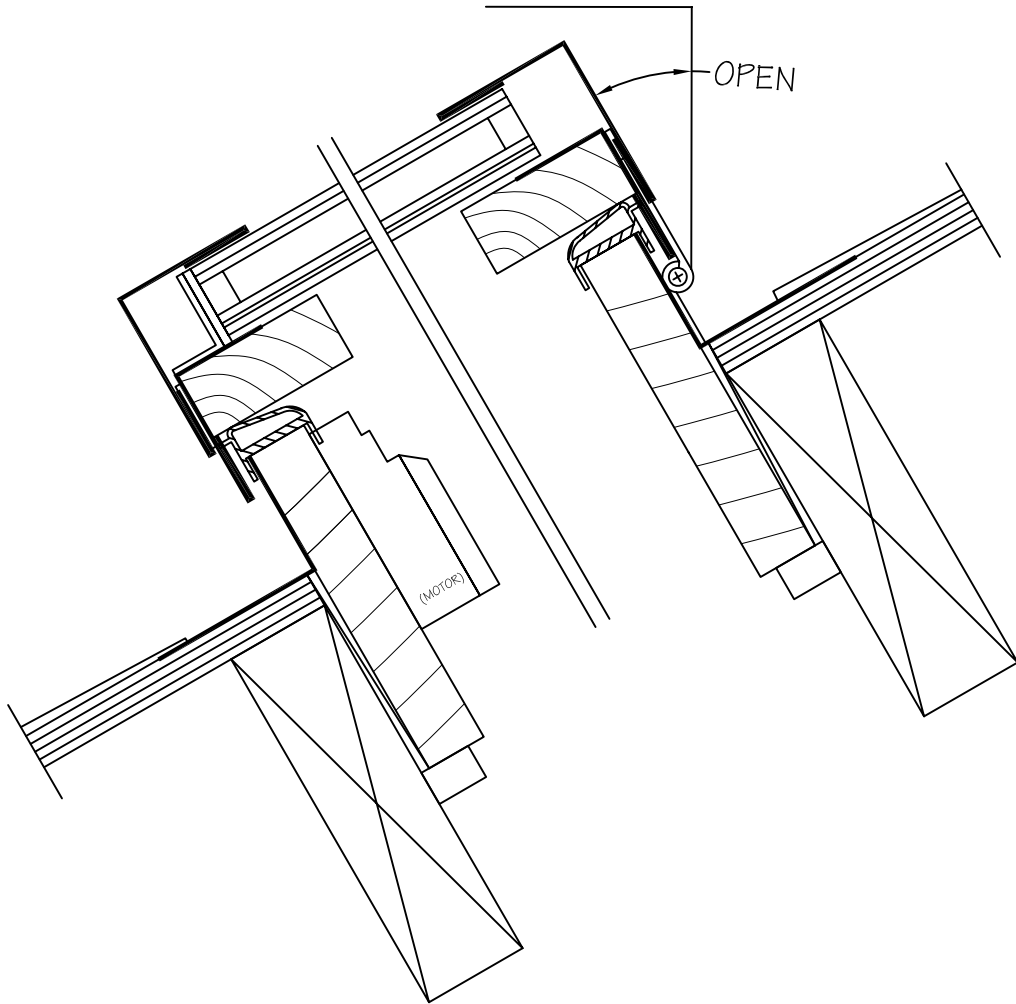
Scale: 3/8" = 1"

Page#:

Revision Date: 1-1-08

S1

File Name: Skylight Eaves



## OPERABLE IN-ROOF SKYLIGHT DETAIL

DRAWINGS AND DIMENSIONS ARE  
FOR ILLUSTRATION PURPOSES ONLY, AND ARE  
NOT FOR CONSRTUCTION.



132 Ashmore Drive  
Leola, Pennsylvania 17540  
(717) 661-7520 Fax (717) 661-7727

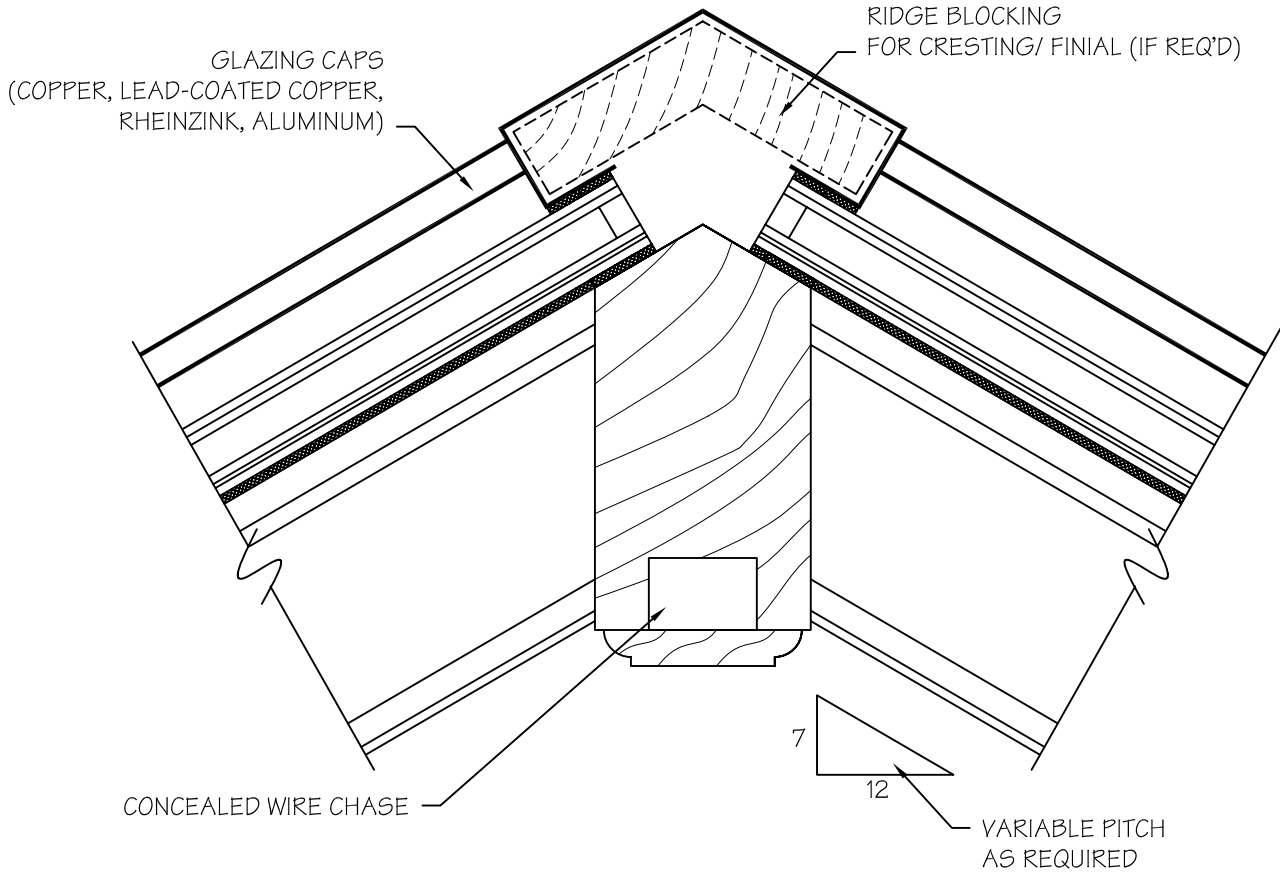
Scale: 3/8" = 1"

Page#:

Revision Date: 1-1-08

S10

File Name: In-Roof Operable Skylight



## TYPICAL SKYLIGHT RIDGE DETAIL

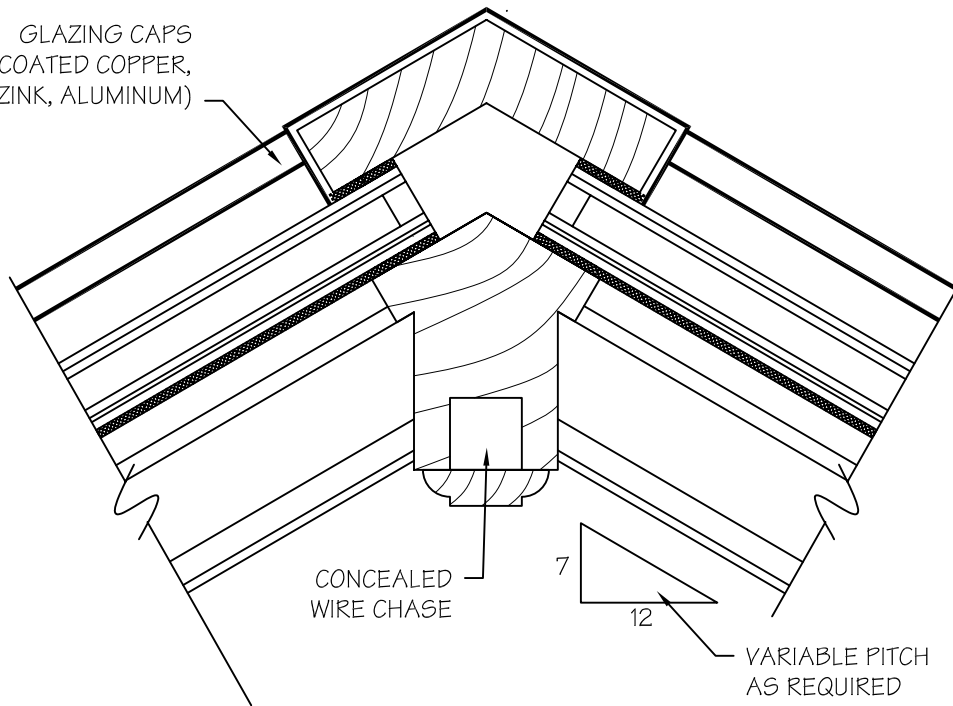
DRAWINGS AND DIMENSIONS ARE  
FOR ILLUSTRATION PURPOSES ONLY, AND ARE  
NOT FOR CONSRTUCTION.



132 Ashmore Drive  
Leola, Pennsylvania 17540  
(717) 661-7520 Fax (717) 661-7727

Scale: 3/8" = 1"	Page#: <b>S2</b>
Revision Date: 1-1-08	
File Name: Skylight Ridge	

GLAZING CAPS  
(COPPER, LEAD-COATED COPPER,  
RHEINZINK, ALUMINUM)



## TYPICAL SKYLIGHT HIP

DRAWINGS AND DIMENSIONS ARE  
FOR ILLUSTRATION PURPOSES ONLY, AND ARE  
NOT FOR CONSRTUCTION.



132 Ashmore Drive  
Leola, Pennsylvania 17540  
(717) 661-7520 Fax (717) 661-7727

Scale: 3/8" = 1"

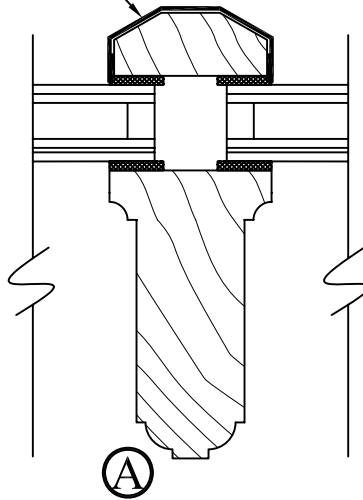
Revision Date: 1-1-08

File Name: Skylight Hip

Page#:

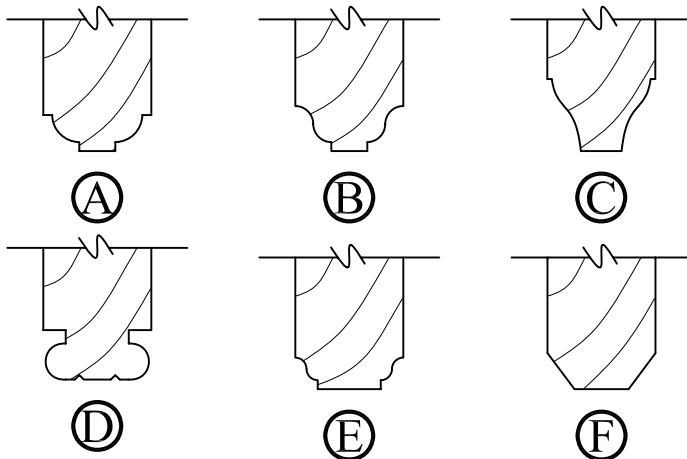
**S3**

GLAZING CAPS  
(COPPER, LEAD-COATED COPPER,  
RHEINZINK, ALUMINUM)



## TYPICAL RAFTER DETAIL

## ALTERNATE RAFTER BOTTOM EDGE PROFILES



DRAWINGS AND DIMENSIONS ARE  
FOR ILLUSTRATION PURPOSES ONLY, AND ARE  
NOT FOR CONSTRUCTION.



132 Ashmore Drive  
Leola, Pennsylvania 17540  
(717) 661-7520 Fax (717) 661-7727

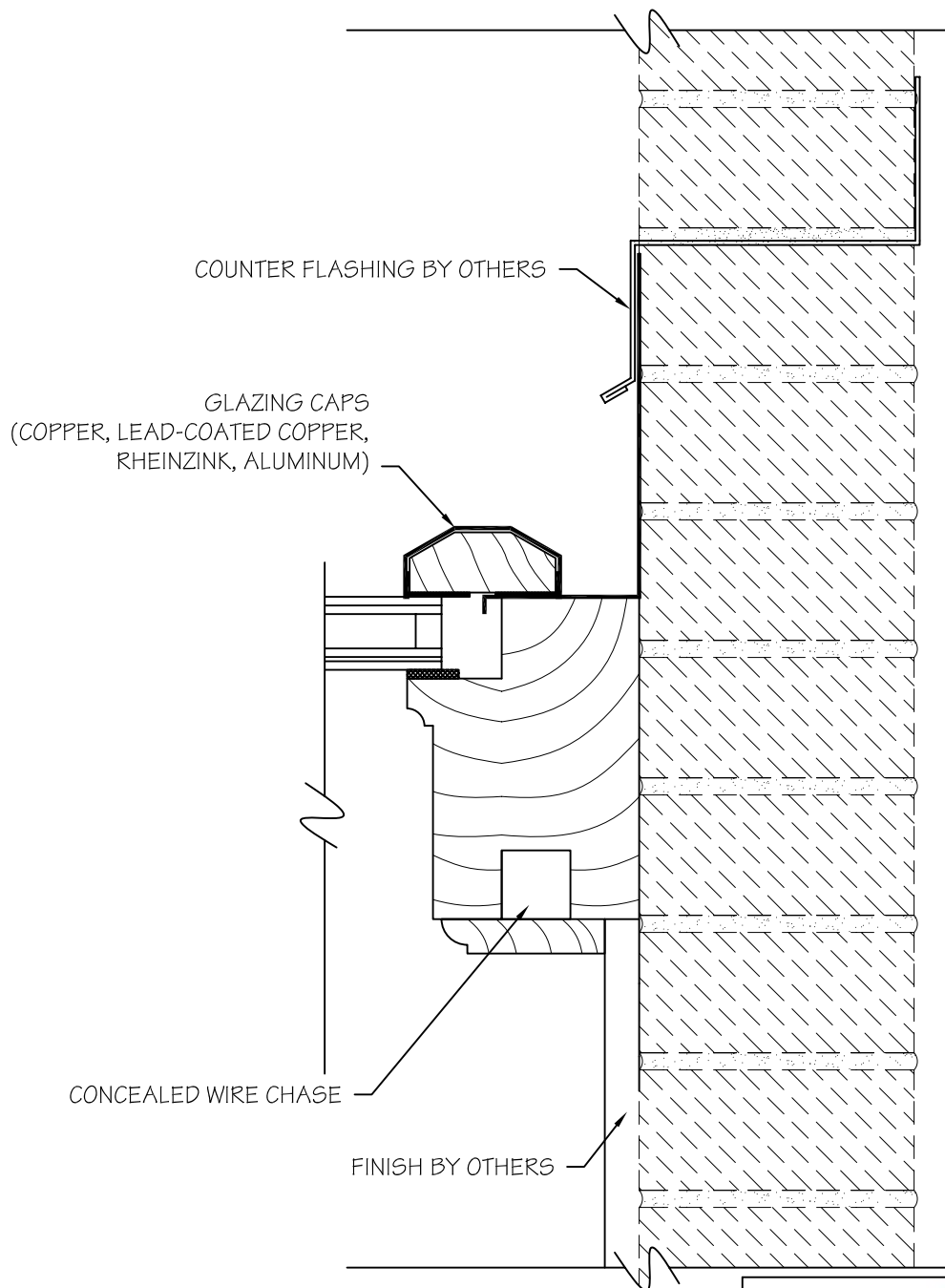
Scale: 3/8" = 1"

Page#:

Revision Date: 1-1-08

**S4**

File Name: Skylight Rafter



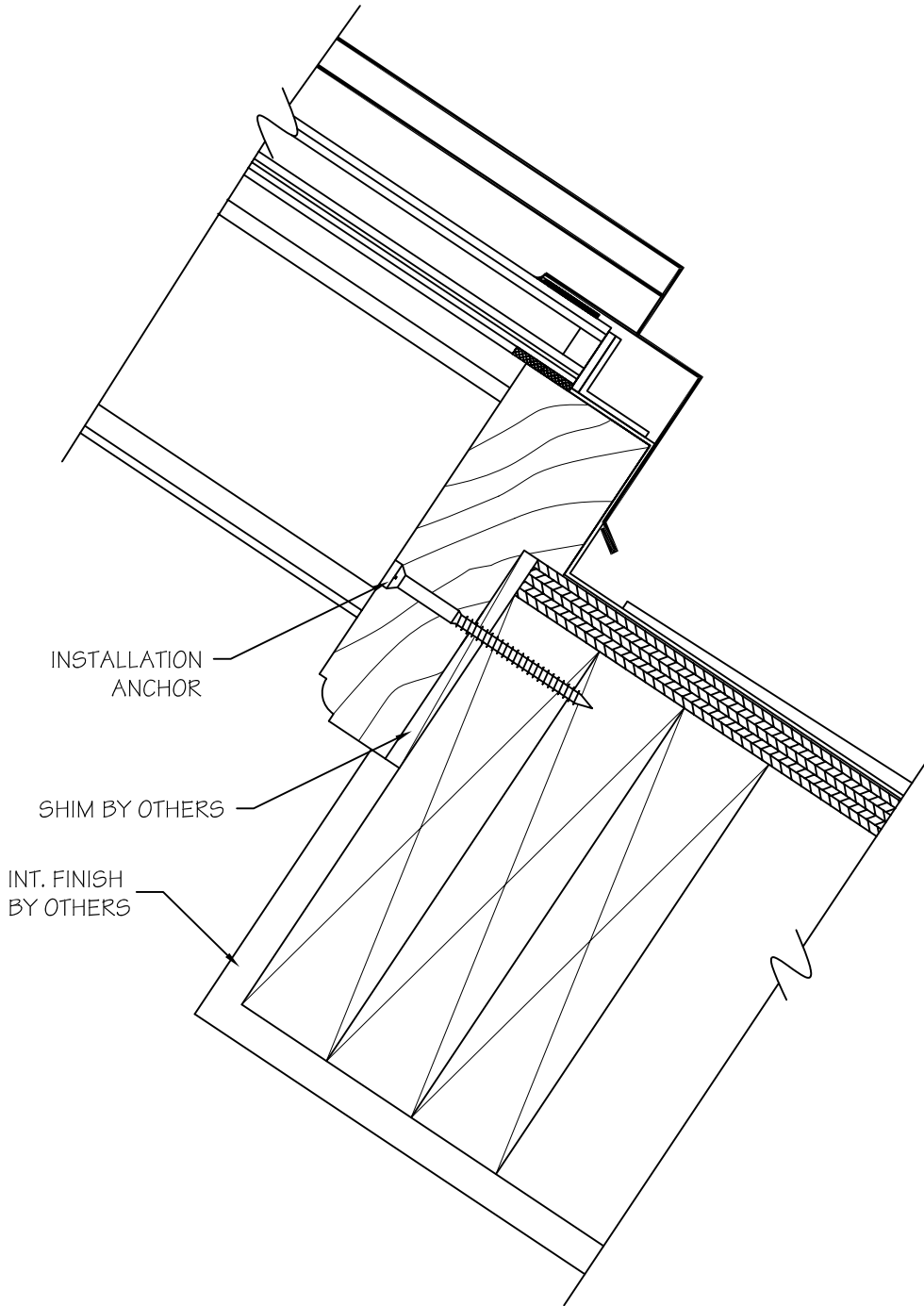
**TYPICAL SKYLIGHT RAFTER  
@ BUILDING WALL**

DRAWINGS AND DIMENSIONS ARE  
FOR ILLUSTRATION PURPOSES ONLY, AND ARE  
NOT FOR CONSRTRUCTION.



132 Ashmore Drive  
Leola, Pennsylvania 17540  
(717) 661-7520 Fax (717) 661-7727

Scale: 3/8" = 1"	Page#: <b>S5</b>
Revision Date: 1-1-08	
File Name: Skylight Rafter 2	

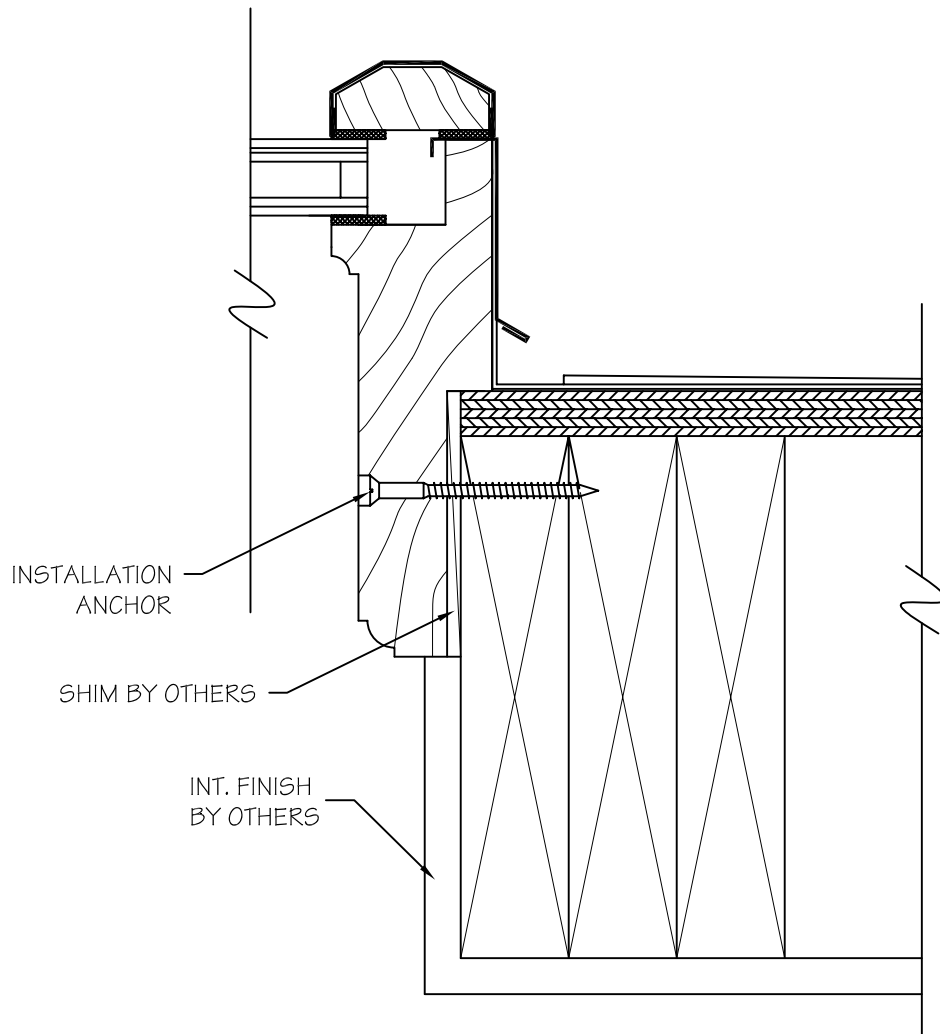


IN ROOF SKYLIGHT  
SILL DETAIL



132 Ashmore Drive  
Leola, Pennsylvania 17540  
(717) 661-7520 Fax (717) 661-7727

Scale: 3/8" = 1"	Page#: <b>S6</b>
Revision Date: 1-1-08	
File Name: In Roof Skylight Sill	



IN ROOF SKYLIGHT  
SIDE DETAIL

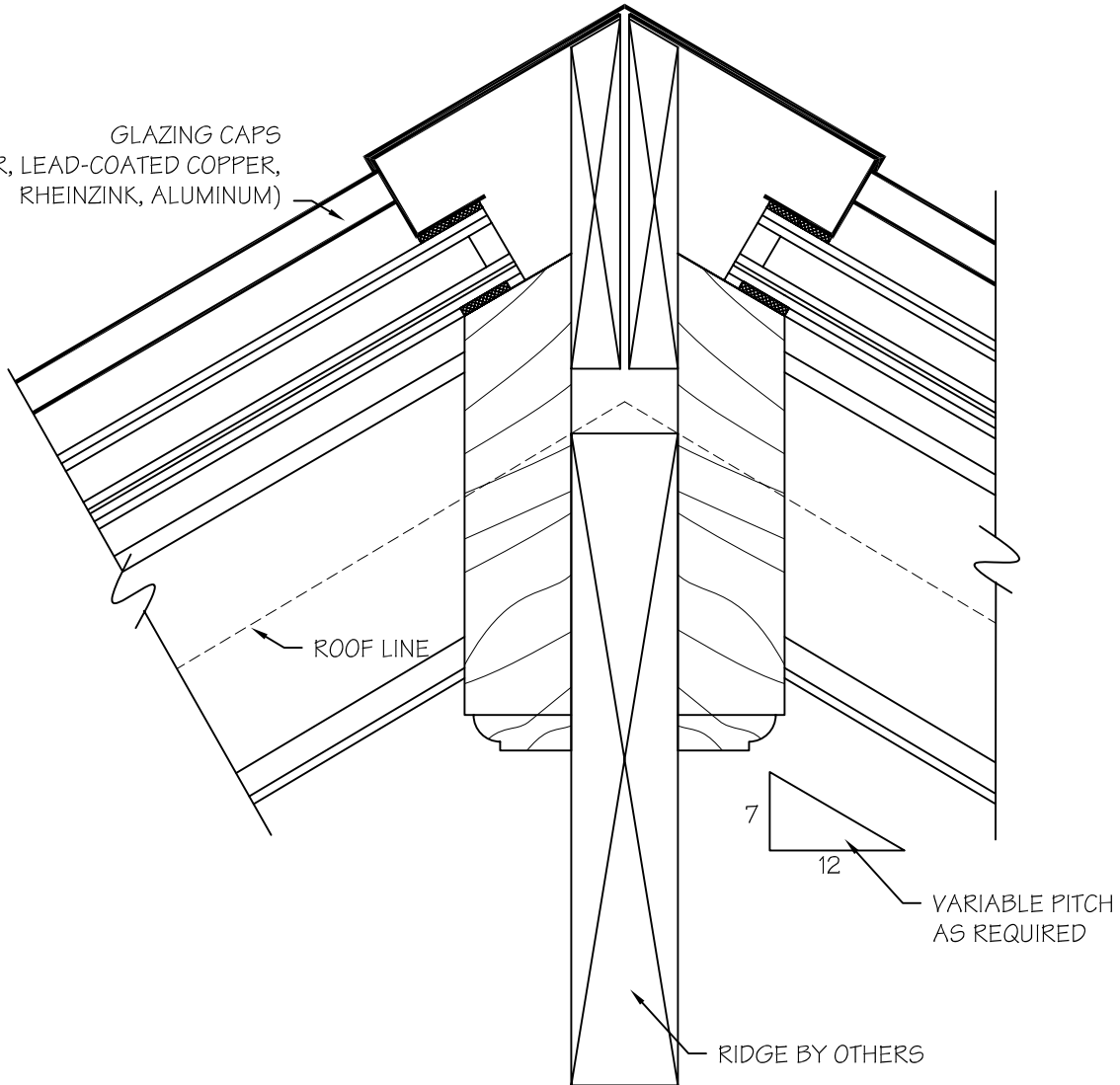


132 Ashmore Drive  
Leola, Pennsylvania 17540  
(717) 661-7520 Fax (717) 661-7727

Scale: 3/8" = 1"	Page#: <b>S7</b>
Revision Date: 1-1-08	
File Name: In Roof Skylight Detail	



GLAZING CAPS  
(COPPER, LEAD-COATED COPPER,  
RHEINZINK, ALUMINUM)



## IN ROOF SKYLIGHT RIDGE DETAIL

DRAWINGS AND DIMENSIONS ARE  
FOR ILLUSTRATION PURPOSES ONLY, AND ARE  
NOT FOR CONSRTUCTION.



132 Ashmore Drive  
Leola, Pennsylvania 17540  
(717) 661-7520 Fax (717) 661-7727

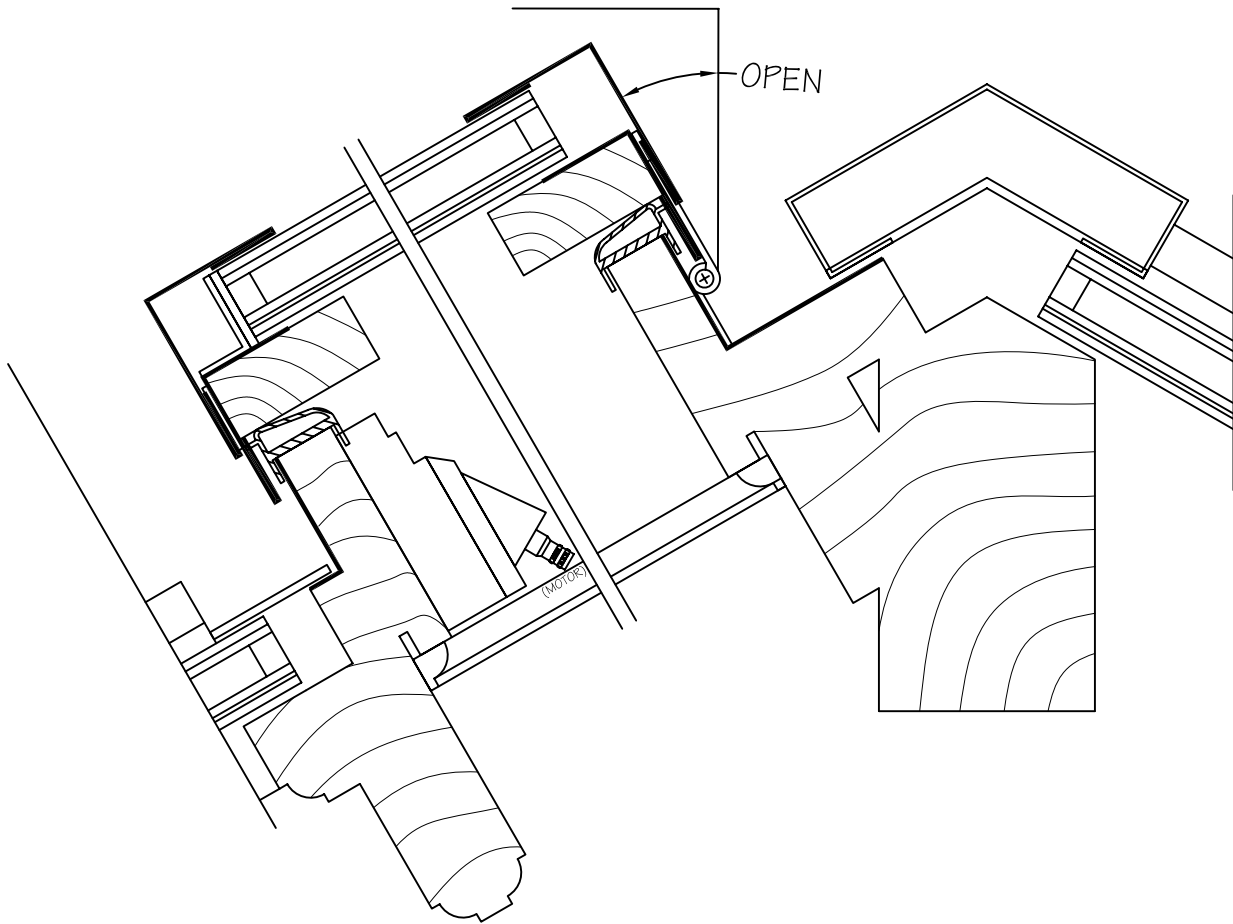
Scale: 3/8" = 1"

Revision Date: 1-1-08

File Name: Skylight Ridge

Page#:

**S8**



## OPERABLE SKYLIGHT DETAIL

DRAWINGS AND DIMENSIONS ARE  
FOR ILLUSTRATION PURPOSES ONLY, AND ARE  
NOT FOR CONSRTUCTION.



132 Ashmore Drive  
Leola, Pennsylvania 17540  
(717) 661-7520 Fax (717) 661-7727

Scale: 3/8" = 1"	Page#: <b>S9</b>
Revision Date: 1-1-08	
File Name: Operable Skylight	